

For the following igus® Series

System E4

- E4.56/H4.56/R4.56
- 400/410/R880
- 4040/4140/R8840
- 14040/14140/R18840
- 14240/14340

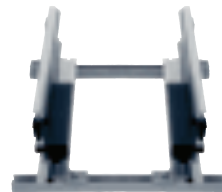
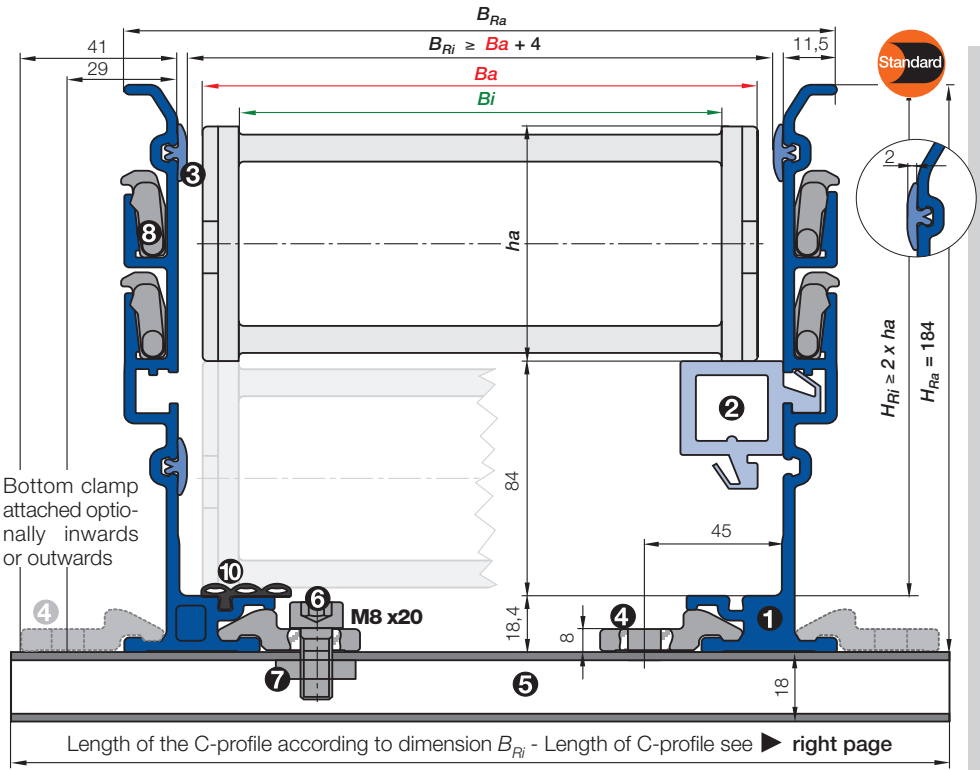
System E6

- E6.62

B_a = Outer e-chain® width
 B_i = Inner e-chain® width
 h_a = e-chain® outer height
 H_{Ri} = Inner trough height
 H_{Ra} = Outer trough height
 B_{Ri} = Inner trough width ▶ depends on dim. B_a
 B_{Ra} = Outer trough width

! $H_{Ri} \geq 2 \cdot h_a$
■ $B_{Ri} \geq B_a + 4$

- = Guide trough
- = Glide bar
- = Installation set "Basic"
- = C-profile



- **Components, trough "Basic":** ① Trough side parts, aluminum, 2 m ② Glide bar, plastic, 2 m ③ Glide strips, plastic, 2 m (without glide strips on request) ⑩ Optional: Silencer profile, rubber
- **Components, installation set "Basic":** ④ Bottom clamp, aluminum ⑤ C-profile, steel galvanized ⑥ Screw M8 x 20 ⑦ Sliding nut M8 ⑧ Interface connector, plastic

Basic version: Aluminum "SuperTrough" components

Complete guide trough sets - description	Part No.	Weight	kg
① Set of 2 trough side parts, incl. glide strips, without glide bars, 2 m section	974.30.SL	≈ 10,0 kg	
① Set of 2 trough side parts, incl. glide strips, with glide bars, 2 m section	974.31.SL	≈ 12,8 kg	
1 Installation set "Basic" without C-profile	960.50	≈ 0,08 kg	
1 Installation set "Basic" with C-profile	960.50.		
Single parts - description			
③ 1 Glide strip, individual, 2 m section	75.01	≈ 0,06 kg	
⑩ 1 Silencer profile, rubber, individual, 2 m section	75.68.H		
④ 1 Bottom clamp, individual	75.50	≈ 0,04 kg	
⑧ 1 Interface connector, individual	75.60		
⑥ 1 Screw M8 x 20, individual	MAT 0040445		
⑦ 1 Sliding nut M8, individual	MAT 0040413		
② 1 Glide bar, individual, 2 m section	83.79	≈ 1,30 kg	
⑤ 1 C-profile, individual	92.52.	≈ 0,90 kg/m	

Calculation - travel center mounted

Half travel length, rounded down to full 2 m sections = **X m guide trough length without glide bars + X m guide trough length with glide bars + installation sets "Basic"** (number of trough pieces + 1)

Supplement Part No. with the indicated C-profile-length-index.
Example: 960.50. [200]

C-profile length-index for your chosen trough inner width B_{Ri} ▶ see table on the right or the respective page for chosen series

Fixed end module - A quick fix for mounting the stationary end of an e-chain® ▶ **page 9.16**

Order example: Length of travel 30 m - Center mounted for Series E4.56.10.250.0 with $B_{Ri} = 138$

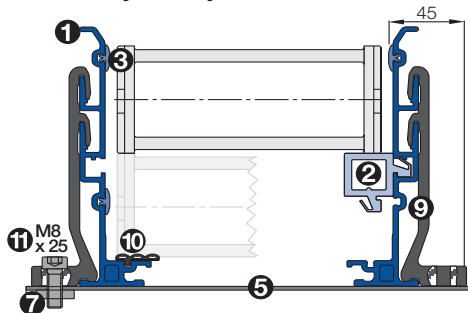
Guide trough set (set of 2 trough side parts, incl. glide strips) without glide bar	Order text: 16 m guide trough without glide bar (8 x 2 m sections)	Part No.	974.30.SL
Guide trough set (set of 2 trough side parts, incl. glide strips) with glide bar	Order text: 16 m guide trough with glide bar (8 x 2 m sections)	Part No.	974.31.SL
Installation set "Basic" complete (guide trough-sets + 1)	Order text: 17 installation sets "Basic"	Part No.	960.50. [200]
Module for the fixed end	Order text: 1 set	Part No.	974.80
Option: For an additional noise dampening with silencer profile, please add Index A Example:		Part No.	974.30.SLA

Lengths of C-profile for Basic version - Bottom clamp attached optionally inwards or outwards

E4.56/H4.56/R4.56			400/410/R880			4040/4140/R8840			14040/14140/R18840			14240/14340			E6.62				
E4.56.05.200.0			400.05.200.0			4040.05.200.0			14040.05.200.0			14240.05.200.0			E6.62.05.200.0				
B_{Ri} [mm]	Part No. attached inwards	Part No. attached outwards	B_{Ri} [mm]	Part No. attached inwards	Part No. attached outwards	B_{Ri} [mm]	Part No. attached inwards	Part No. attached outwards	B_{Ri} [mm]	Part No. attached inwards	Part No. attached outwards	B_{Ri} [mm]	Part No. attached inwards	Part No. attached outwards	B_{Ri} [mm]	Part No. attached inwards	Part No. attached outwards		
.05	88	*	960.50.225	.05	88	*	960.50.225	.05	90	*	960.50.225	.05	80	*	960.50.200	.05	90	*	960.50.225
.06	103	*	960.50.225	.06	103	*	960.50.225	.06	105	*	960.50.225	.06	98	*	960.50.225	.06	108	*	960.50.225
.07	113	*	960.50.250	.07	113	*	960.50.250	.07	115	*	960.50.250	.07	105	*	960.50.225	.07	115	*	960.50.250
.08	125	960.50.175	960.50.250	.08	125	960.50.175	960.50.250	.08	127	960.50.175	960.50.250	.08	117	960.50.175	960.50.225	.087	118	960.50.175	960.50.250
.10	138	960.50.200	960.50.275	.10	138	960.50.200	960.50.275	.10	140	960.50.200	960.50.275	.10	130	960.50.200	960.50.250	.10	130	960.50.200	960.50.250
.11	151	960.50.200	960.50.275	.11	151	960.50.200	960.50.275	.11	153	960.50.200	960.50.275	.11	143	960.50.200	960.50.275	.11	138	960.50.200	960.50.275
.12	163	960.50.225	960.50.300	.12	163	960.50.225	960.50.300	.12	165	960.50.225	960.50.300	.12	155	960.50.225	960.50.275	.112	143	960.50.200	960.50.275
.13	176	960.50.225	960.50.300	.13	176	960.50.225	960.50.300	.13	178	960.50.225	960.50.300	.13	168	960.50.225	960.50.300	.12	155	960.50.225	960.50.275
.15	188	960.50.250	960.50.325	.15	188	960.50.250	960.50.325	.15	190	960.50.250	960.50.325	.15	180	960.50.250	960.50.300	.137	168	960.50.225	960.50.300
.16	201	960.50.250	960.50.325	.16	201	960.50.250	960.50.325	.16	203	960.50.250	960.50.325	.16	193	960.50.250	960.50.325	.15	180	960.50.250	960.50.300
.17	213	960.50.275	960.50.350	.17	213	960.50.275	960.50.350	.17	215	960.50.275	960.50.350	.17	205	960.50.275	960.50.325	.162	193	960.50.250	960.50.325
.18	226	960.50.275	960.50.350	.18	226	960.50.275	960.50.350	.18	228	960.50.275	960.50.350	.18	218	960.50.275	960.50.350	.17	198	960.50.250	960.50.325
.20	238	960.50.300	960.50.375	.20	238	960.50.300	960.50.375	.20	240	960.50.300	960.50.375	.20	230	960.50.300	960.50.350	.18	205	960.50.275	960.50.325
.21	251	960.50.300	960.50.375	.21	251	960.50.300	960.50.375	.21	253	960.50.300	960.50.375	.21	243	960.50.300	960.50.375	.187	218	960.50.275	960.50.350
.22	263	960.50.325	960.50.400	.22	263	960.50.325	960.50.400	.22	265	960.50.325	960.50.400	.22	255	960.50.325	960.50.375	.20	230	960.50.300	960.50.350
.23	276	960.50.325	960.50.400	.23	276	960.50.325	960.50.400	.23	278	960.50.325	960.50.400	.23	268	960.50.325	960.50.400	.212	243	960.50.300	960.50.375
.25	288	960.50.350	960.50.425	.25	288	960.50.350	960.50.425	.25	290	960.50.350	960.50.425	.25	280	960.50.350	960.50.400	.23	255	960.50.325	960.50.375
.26	301	960.50.350	960.50.425	.26	301	960.50.350	960.50.425	.26	303	960.50.350	960.50.425	.26	293	960.50.350	960.50.425	.237	268	960.50.325	960.50.400
.27	313	960.50.375	960.50.450	.27	313	960.50.375	960.50.450	.27	315	960.50.375	960.50.450	.27	305	960.50.375	960.50.425	.25	280	960.50.350	960.50.400
.28	326	960.50.375	960.50.450	.28	326	960.50.375	960.50.450	.28	328	960.50.375	960.50.450	.28	318	960.50.375	960.50.450	.262	293	960.50.350	960.50.425
.30	338	960.50.400	960.50.475	.30	338	960.50.400	960.50.475	.30	340	960.50.400	960.50.475	.30	330	960.50.400	960.50.450	.28	305	960.50.375	960.50.425
.31	351	960.50.400	960.50.475	.31	351	960.50.400	960.50.475	.31	353	960.50.400	960.50.475	.31	343	960.50.400	960.50.475	.29	318	960.50.375	960.50.450
.32	363	960.50.425	960.50.500	.32	363	960.50.425	960.50.500	.32	365	960.50.425	960.50.500	.32	355	960.50.425	960.50.475	.30	330	960.50.400	960.50.450
.33	376	960.50.425	960.50.500	.33	376	960.50.425	960.50.500	.33	378	960.50.425	960.50.500	.33	368	960.50.425	960.50.500	.312	343	960.50.400	960.50.475
.35	388	960.50.450	960.50.525	.35	388	960.50.450	960.50.525	.35	390	960.50.450	960.50.525	.35	380	960.50.450	960.50.500	.325	355	960.50.425	960.50.475
.36	401	960.50.450	960.50.525	.36	401	960.50.450	960.50.525	.36	403	960.50.450	960.50.525	.36	393	960.50.450	960.50.525	.337	368	960.50.425	960.50.500
.37	413	960.50.475	960.50.550	.37	413	960.50.475	960.50.550	.37	415	960.50.475	960.50.550	.37	405	960.50.475	960.50.525	.350	380	960.50.450	960.50.500
.38	426	960.50.475	960.50.550	.38	426	960.50.475	960.50.550	.38	428	960.50.475	960.50.550	.38	418	960.50.475	960.50.550	.362	393	960.50.450	960.50.525
.40	438	960.50.500	960.50.575	.40	438	960.50.500	960.50.575	.40	440	960.50.500	960.50.575	.40	430	960.50.500	960.50.550	.375	405	960.50.475	960.50.525
.41	451	960.50.500	960.50.575	.41	451	960.50.500	960.50.575	.41	453	960.50.500	960.50.575	.41	443	960.50.500	960.50.575	.387	418	960.50.475	960.50.550
.42	463	960.50.525	960.50.600	.42	463	960.50.525	960.50.600	.42	465	960.50.525	960.50.600	.42	455	960.50.525	960.50.575	.400	430	960.50.500	960.50.550
.43	476	960.50.525	960.50.600	.43	476	960.50.525	960.50.600	.43	478	960.50.525	960.50.600	.43	468	960.50.525	960.50.600				
.45	488	960.50.550	960.50.625	.45	488	960.50.550	960.50.625	.45	490	960.50.550	960.50.625	.45	480	960.50.550	960.50.600				
.46	501	960.50.550	960.50.625	.46	501	960.50.550	960.50.625	.46	503	960.50.550	960.50.625	.46	493	960.50.550	960.50.625				
.47	513	960.50.575	960.50.650	.47	513	960.50.575	960.50.650	.47	515	960.50.575	960.50.650	.47	505	960.50.575	960.50.625				
.48	526	960.50.575	960.50.650	.48	526	960.50.575	960.50.650	.48	528	960.50.575	960.50.650	.48	518	960.50.575	960.50.650				
.50	538	960.50.600	960.50.675	.50	538	960.50.600	960.50.675	.50	540	960.50.600	960.50.675	.50	530	960.50.600	960.50.650				
.51	551	960.50.600	960.50.675	.51	551	960.50.600	960.50.675	.51	553	960.50.600	960.50.675	.51	543	960.50.600	960.50.675				
.52	563	960.50.625	960.50.700	.52	563	960.50.625	960.50.700	.52	565	960.50.625	960.50.700	.52	555	960.50.625	960.50.675				
.53	576	960.50.625	960.50.700	.53	576	960.50.625	960.50.700	.53	578	960.50.625	960.50.700	.53	568	960.50.625	960.50.700				
.55	588	960.50.650	960.50.725	.55	588	960.50.650	960.50.725	.55	590	960.50.650	960.50.725	.55	580	960.50.650	960.50.700				
.60	638	960.50.700	960.50.775	.60	638	960.50.700	960.50.775	.60	640	960.50.700	960.50.775	.60	630	960.50.700	960.50.750				

*upon request

"Heavy Duty" Version | Installation set Part No. 974.50



- Components, trough "Heavy Duty": ① Trough side parts, aluminum, 2 m ② Glide bar, plastic, 2 m ③ Glide strips, plastic 2 m (without glide strips on request) ⑩ Optional: Silencer profile, rubber
- Components, installation set "Heavy Duty": ⑤ C-profile, steel galvanized ⑦ Sliding nut M8 ⑨ Heavy duty bracket, aluminum ⑪ Screw M8 x 25

Note: Dimensions similar to Basic version!
Exception: Heavy duty bracket, see drawing



- = Guide trough
- = Glide bar
- = Installation set "Heavy duty"
- = C-profile

Insert for the installation set "Heavy-Duty": **974.50.XXX** instead of **960.50.XXX** on the right column "attached outwards"

"Heavy Duty" installation set Part No. 974.50.200

! The inner width of the guide through and the length of the C-Profile of the assembly kit can differ according to the bracket you choose. Please call us!