

For the following igus® Series

System E2

● 2700

System E2 e-tubes

● R58

E2 medium classic

● 27 classic

Phone +49- (0) 22 03-96 49-800  
Fax +49- (0) 22 03-96 49-222

igus® GmbH  
51147 Cologne

Internet: www.igus.eu  
E-mail: info@igus.de

$B_a$  = Outer e-chain® width  
 $B_i$  = Inner e-chain® width  
 $h_a$  = e-chain® outer height  
 $H_{Ri}$  = Inner trough height  
 $H_{Ra}$  = Outer trough height  
 $B_{Ri}$  = Inner trough width ▶ depends on dim.  $B_a$   
 $B_{Ra}$  = Outer trough width

!  $H_{Ri} \geq 2 \cdot h_a$   
■  $B_{Ri} \geq B_a + 4$

- = Guide trough
- = Glide bar
- = Installation set "Basic"
- = C-profile

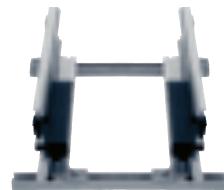
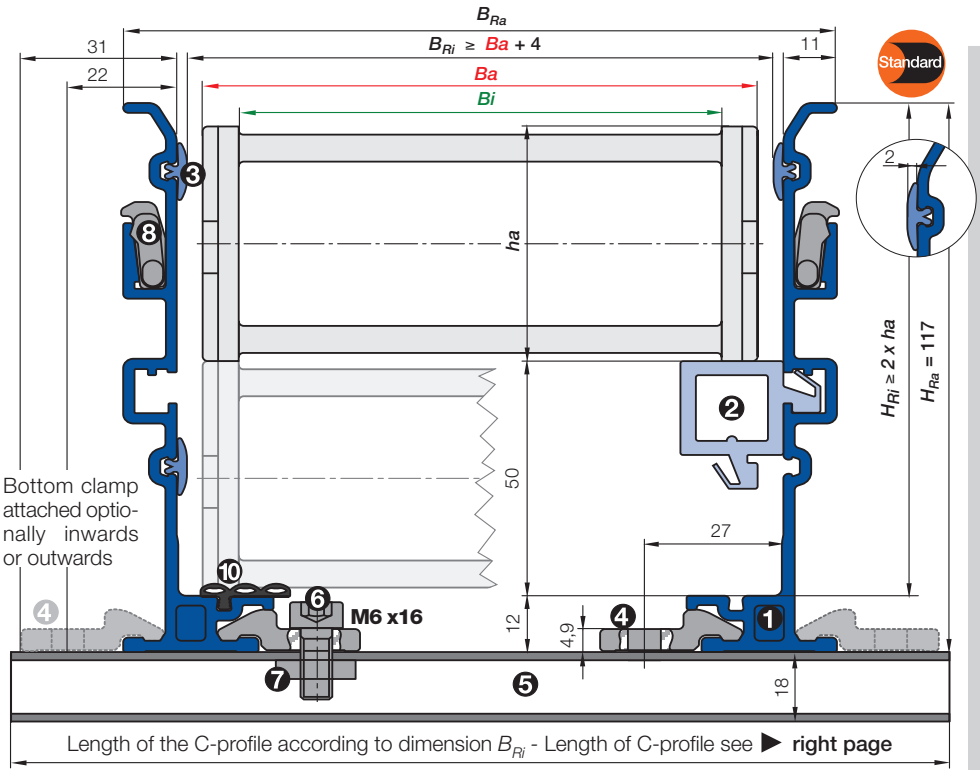
**Calculation - travel center mounted**

Half travel length, rounded down to full 2 m sections = X m guide trough length without glide bars + X m guide trough length with glide bars + installation sets "Basic" (number of trough pieces + 1)

Supplement Part No. with the indicated C-profile-length-index.  
**Example : 960.30.150**

C-profile length-index for your chosen trough inner width  $B_{Ri}$  ▶ see table on the right or the respective page for chosen series

**Fixed end module** - A quick fix for mounting the stationary end of an e-chain® ▶ page 9.16



- **Components, trough "Basic":** ① Trough side parts, aluminum, 2 m ② Glide bar, plastic, 2 m ③ Glide strips, plastic, 2 m (without glide strips on request) ⑩ Optional: Silencer profile, rubber
- **Components, installation set "Basic":** ④ Bottom clamp, aluminum ⑤ C-profile, steel galvanized ⑥ Screw M6 x16 ⑦ Sliding nut M6 ⑧ Interface connector, plastic

**Basic version: Aluminum "SuperTrough" components**

Complete guide trough sets - description	Part No.	Weight	kg
① Set of 2 trough side parts, incl. glide strips, without glide bars, 2 m section	972.30.SL	≈ 6,00 kg	
① Set of 2 trough side parts, incl. glide strips, with glide bars, 2 m section	972.32.SL	≈ 7,40 kg	
1 Installation set "Basic" without C-profile	960.30	≈ 0,06 kg	
1 Installation set "Basic" with C-profile	960.30.		
Single parts - description			
③ 1 Glide strip, individual, 2 m section	75.01	≈ 0,06 kg	
⑩ 1 Silencer profile, rubber, individual, 2 m section	75.67.H		
④ 1 Bottom clamp, individual	75.40	≈ 0,03 kg	
⑧ 1 Interface connector, individual	75.60		
⑥ 1 Screw M6 x 16, individual	MAT 0040209		
⑦ 1 Sliding nut M6, individual	MAT 0040057		
② 1 Glide bar, individual, 2 m section	82.79	≈ 0,60 kg	
⑤ 1 C-profile, individual	92.52.	≈ 0,90 kg/m	

**Order example: Length of travel 30 m - Center mounted for Series 2700.07.200.0 with  $B_{Ri} = 95$**

Guide trough set (set of 2 trough side parts, incl. glide strips) <b>without</b> glide bar		
<b>Order text: 16 m guide trough without glide bar (8 x 2 m sections)</b>	<b>Part No.</b>	<b>972.30.SL</b>
Guide trough set (set of 2 trough side parts, incl. glide strips) <b>with</b> glide bar		
<b>Order text: 16 m guide trough with glide bar (8 x 2 m sections)</b>	<b>Part No.</b>	<b>972.32.SL</b>
Installation set "Basic" complete (guide trough-sets + 1)		
<b>Order text: 17 installation sets "Basic"</b>	<b>Part No.</b>	<b>960.30.150</b>
Module for the fixed end		
<b>Order text: 1 set</b>	<b>Part No.</b>	<b>972.81</b>
<b>Option:</b> For an additional noise dampening with silencer profile, please add Index A Example:	<b>Part No.</b>	<b>972.30.SLA</b>

## Lengths of C-profile for Basic version - Bottom clamp attached optionally inwards or outwards

### 2700

2700.05.200.0

$B_{Ri}$ [mm]	Part No. attached inwards	Part No. attached outwards
.05 70	*	960.30.175
.06 85	960.30.150	960.30.200
.07 95	960.30.150	960.30.200
.09 110	960.30.175	960.30.225
.10 120	960.30.175	960.30.225
.12 145	960.30.200	960.30.250
.15 170	960.30.225	960.30.275
.17 198	960.30.250	960.30.300

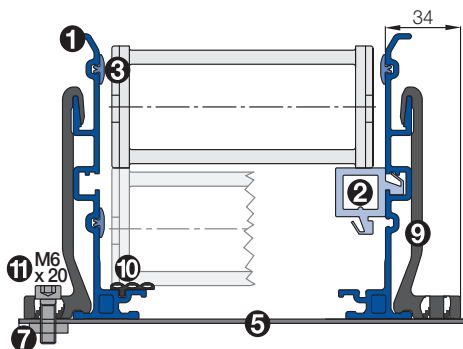
### R58

58.075.200.0

$B_{Ri}$ [mm]	Part No. attached inwards	Part No. attached outwards
.050 70	*	960.30.175
.075 95	960.30.150	960.30.200
.100 120	960.30.175	960.30.225
.125 145	960.30.200	960.30.250
.150 170	960.30.225	960.30.275
.175 195	960.30.250	960.30.300
.200 220	960.30.275	960.30.325

\*upon request

## "Heavy Duty" Version | Installation set Part No. Nr. 972.50



- **Components, trough "Heavy Duty":** ① Trough side parts, aluminum, 2 m ② Glide bar, plastic, 2 m ③ Glide strips, plastic 2 m (without glide strips on request) ⑩ Optional: Silencer profile, rubber
- **Components, installation set "Heavy Duty":** ⑤ C-profile, steel galvanized ⑦ Sliding nut M6 ⑨ Heavy duty bracket, aluminum ⑪ Screw M6 x 20

**Note:** Dimensions similar to Basic version!  
**Exception:** Heavy duty bracket, see drawing



- = Guide trough
- = Glide bar
- = Installation set "Heavy duty"
- = C-profile



Insert for the installation set "Heavy-Duty": **972.50.XXX** instead of **960.30.XXX** on the right column "attached outwards"

**"Heavy Duty" installation set Part No. 972.50. 150**

! The inner width of the guide through and the length of the C-Profile of the assembly kit can differ according to the bracket you choose. Please call us!