

For the following igus® Series

System E4

- E4.28/R4.28
- 220/R760

System E6

- E6.35

B_a = Outer e-chain® width
 B_i = Inner e-chain® width
 h_a = e-chain® outer height
 H_{Ri} = Inner trough height
 H_{Ra} = Outer trough height
 B_{Ri} = Inner trough width ▶ depends on dim. B_a
 B_{Ra} = Outer trough width

! $H_{Ri} \geq 2 \cdot h_a$
 ■ $B_{Ri} \geq B_a + 4$

- = Guide trough
- = Glide bar
- = Installation set "Basic"
- = C-profile

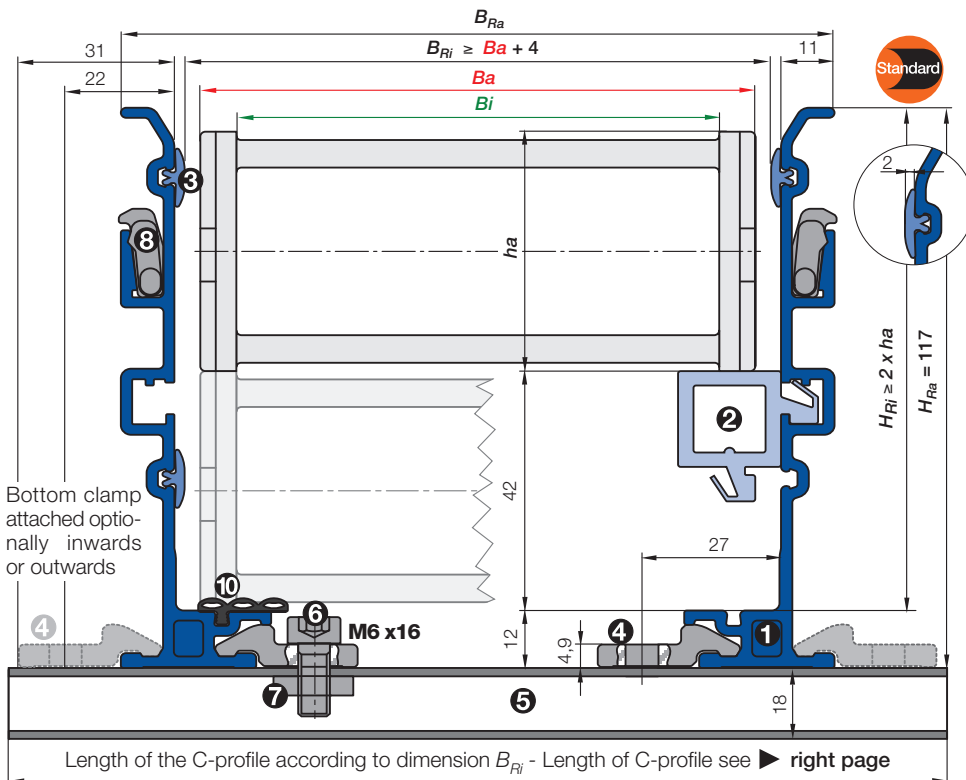
Calculation - travel center mounted

Half travel length, rounded down to full 2 m sections = X m guide trough length without glide bars + X m guide trough length with glide bars + installation sets "Basic" (number of trough pieces + 1)

Supplement Part No. with the indicated C-profile-length-index.
Example: 960.30.175

C-profile length-index for your chosen trough inner width B_{Ri} ▶ see table on the right or the respective page for chosen series

Fixed end module - A quick fix for mounting the stationary end of an e-chain® ▶ **page 9.16**



- **Components, trough "Basic":** ① Trough side parts, aluminum, 2 m ② Glide bar, plastic, 2 m ③ Glide strips, plastic, 2 m (without glide strips on request) ⑩ Optional: Silencer profile, rubber
- **Components, installation set "Basic":** ④ Bottom clamp, aluminum ⑤ C-profile, steel galvanized ⑥ Screw M6 x16 ⑦ Sliding nut M6 ⑧ Interface connector, plastic

Basic version: Aluminum "SuperTrough" components

Complete guide trough sets - description	Part No.	Weight	kg
① Set of 2 trough side parts, incl. glide strips, without glide bars, 2 m section	972.02.30.SL	≈ 6,00 kg	
① Set of 2 trough side parts, incl. glide strips, with glide bars, 2 m section	972.02.31.SL	≈ 7,40 kg	
1 Installation set "Basic" without C-profile	960.30	≈ 0,06 kg	
1 Installation set "Basic" with C-profile	960.30.□		
Single parts - description			
③ 1 Glide strip, individual, 2 m section	75.01	≈ 0,06 kg	
⑩ 1 Silencer profile, rubber, individual, 2 m section	75.67.H		
④ 1 Bottom clamp, individual	75.40	≈ 0,03 kg	
⑧ 1 Interface connector, individual	75.60		
⑥ 1 Screw M6 x 16, individual	MAT 0040209		
⑦ 1 Sliding nut M6, individual	MAT 0040057		
② 1 Glide bar, individual, 2 m section	82.79	≈ 0,60 kg	
⑤ 1 C-profile, individual	92.52.□	≈ 0,90 kg/m	

Order example: Length of travel 30 m - Center mounted for Series E6.35.100.055.0 with $B_{Ri} = 124$

Guide trough set (set of 2 trough side parts, incl. glide strips) **without** glide bar
Order text: 16 m guide trough without glide bar (8 x 2 m sections) Part No. 972.02.30.SL

Guide trough set (set of 2 trough side parts, incl. glide strips) **with** glide bar
Order text: 16 m guide trough with glide bar (8 x 2 m sections) Part No. 972.02.31.SL

Installation set "Basic" complete (guide trough-sets + 1)
Order text: 17 installation sets "Basic" Part No. 960.30.175

Module for the fixed end
Order text: 1 set Part No. 972.82

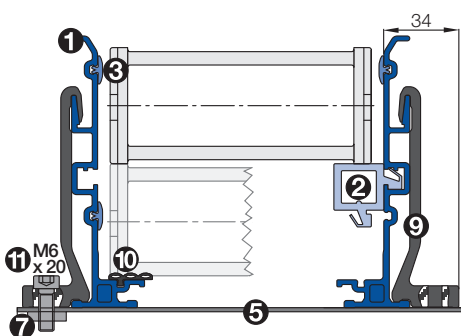
Option: For an additional noise dampening with silencer profile, please add Index A Example:
 Part No. 972.02.30.SLA

Lengths of C-profile for Basic version - Bottom clamp attached optionally inwards or outwards

E4.28/R4.28			220/R760			E6.35		
E4.28.070.250.0			220.070.250.0			E6.35.100.063.0		
B_{Fi} [mm]	Part No. attached inwards	Part No. attached outwards	B_{Fi} [mm]	Part No. attached inwards	Part No. attached outwards	B_{Fi} [mm]	Part No. attached inwards	Part No. attached outwards
.040 64	*	960.30.175	.040 64	*	960.30.175	.030 54	*	960.30.150
.050 74	960.30.125	960.30.175	.050 74	960.30.125	960.30.175	.040 64	*	960.30.175
.062 86	960.30.150	960.30.200	.062 86	960.30.150	960.30.200	.050 74	960.30.125	960.30.175
.070 94	960.30.150	960.30.200	.070 94	960.30.150	960.30.200	.060 84	960.30.150	960.30.200
.075 99	960.30.150	960.30.200	.075 99	960.30.150	960.30.200	.070 94	960.30.150	960.30.200
.087 111	960.30.175	960.30.225	.087 111	960.30.175	960.30.225	.080 104	960.30.150	960.30.200
.100 124	960.30.175	960.30.225	.100 124	960.30.175	960.30.225	.090 114	960.30.175	960.30.225
.125 149	960.30.200	960.30.250	.125 149	960.30.200	960.30.250	.100 124	960.30.175	960.30.225
.150 174	960.30.225	960.30.275	.150 174	960.30.225	960.30.275	.110 134	960.30.200	960.30.250
.175 199	960.30.250	960.30.300	.175 199	960.30.250	960.30.300	.120 144	960.30.200	960.30.250
.200 224	960.30.275	960.30.325	.200 224	960.30.275	960.30.325			
.225 249	960.30.300	960.30.350	.225 249	960.30.300	960.30.350			
.250 274	960.30.325	960.30.375	.250 274	960.30.325	960.30.375			
.275 299	960.30.350	960.30.400	.275 299	960.30.350	960.30.400			
.300 324	960.30.375	960.30.425	.300 324	960.30.375	960.30.425			

*upon request

"Heavy Duty" Version | Installation set Part No. 972.50



- **Components, trough "Heavy Duty":** ① Trough side parts, aluminum, 2 m ② Glide bar, plastic, 2 m ③ Glide strips, plastic 2 m (without glide strips on request) ⑩ Optional: Silencer profile, rubber
- **Components, installation set "Heavy Duty":** ⑤ C-profile, steel galvanized ⑦ Sliding nut M6 ⑨ Heavy duty bracket, aluminum ⑪ Screw M6 x 20

Note: Dimensions similar to Basic version!
Exception: Heavy duty bracket, see drawing



- = Führungsrippen-Set
- = Gleitschiene
- = Montageset "Heavy duty"
- = C-Profil

Insert for the installation set "Heavy-Duty": **972.50.XXX** instead of **960.30.XXX** on the right column "attached outwards"

"Heavy Duty" installation set Part No. 972.50.150

! The inner width of the guide through and the length of the C-Profile of the assembly kit can differ according to the bracket you choose. Please call us!